

Converter MBUS to RS232 for 15 devices

r5

User manual

Mar 03 2022



Embedded Electronics
&
Solutions, s.r.o.

www.eeas.cz



1. Device parameters

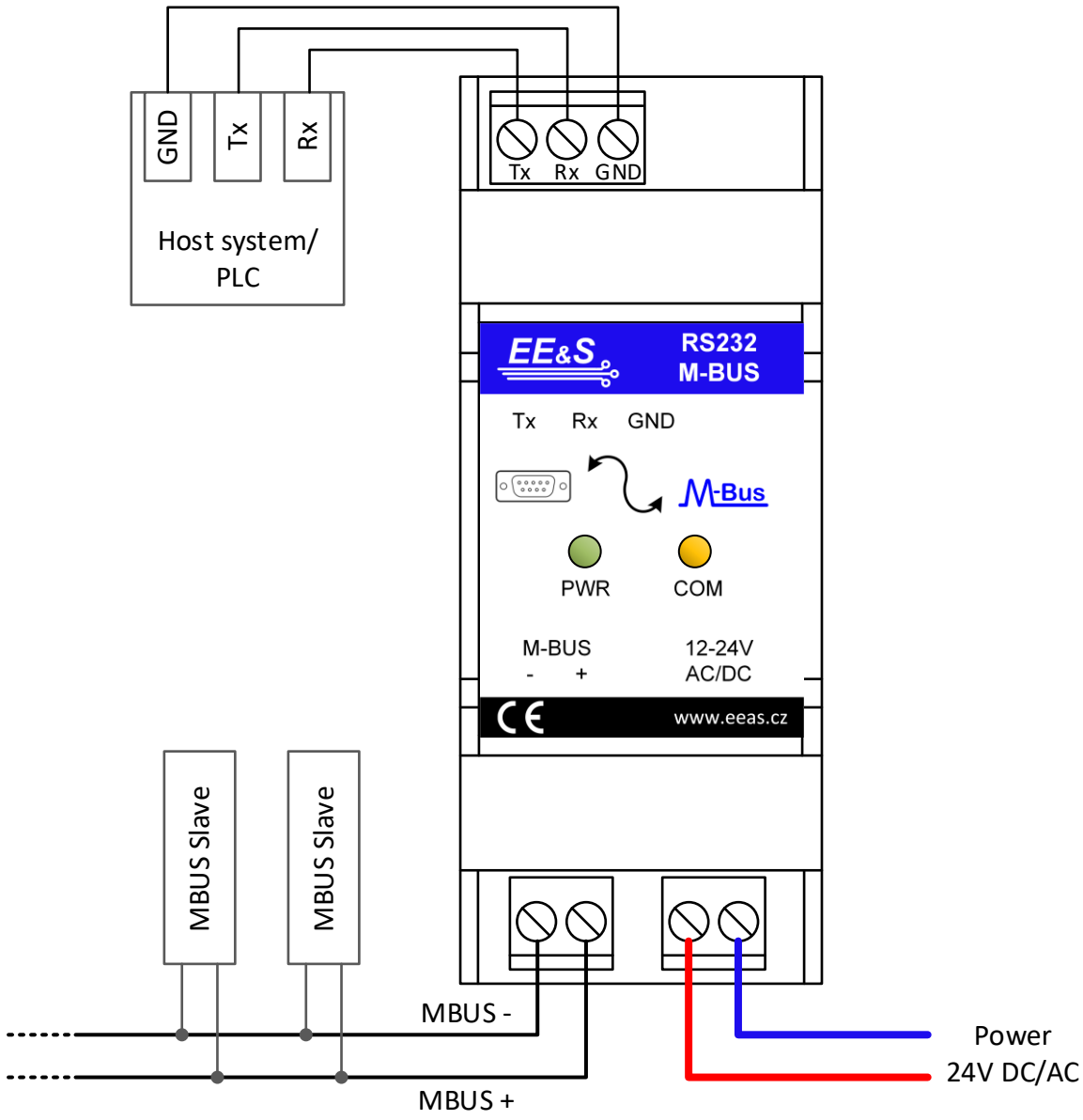
Power supply	12 – 24 V AC/DC*
Power consumption with no slave connected	0,8 W
Power consumption with 15 slaves connected	1,7 W
Maximum number of MBUS slaves	15
Maximum MBUS cable length (300 baud)	1000 m
Dimension	93 x 36 x 61 mm

* preferably DC for better efficiency performance

2. Factory settings

Not applied.

3. Front view and connection schematic



The device is equipped with two LEDs. The green LED labeled as “PWR” indicates the presence of the power supply with a steady light. The yellow LED labeled as “COM” flashes when a packet is sent to or received from the MBUS line.

4. Description

The converter translates packets between MBUS physical layer and the RS232 line. The payload from RS232 is sent transparently to the MBUS and responses from the MBUS slaves are sent to the RS232 line in return. Baudrate, parity, and other RS232 parameters depend on the host system settings, and it is not necessary to adjust any settings to the converter.

The device is powered by a power supply in the range of 12 to 24VDC/VAC and can communicate with up to 15 MBUS slave devices. However, the DC power supply is recommended due to better efficiency parameters. The maximum length of the cable segment connected to the slave can be up to 1000 meters with a communication speed of 300 bps.

Document updates

Date	Update

**On behalf of
Embedded Electronics & Solutions, s.r.o.
we would like to thank you.**

Manufacturer:



Embedded Electronics & Solutions, s.r.o.

Primátorská 296/38

180 00 Praha 8

www.eeas.cz

Phone: +420 731480348 / +420 737980953

Distributor in Slovakia:



T-Industry, s.r.o.

Hoštáky 910/49

907 01 Myjava

tind@tind.sk

www.tind.sk

Phone: +421 907565722