

### PD Loop R3 – Short operational manual

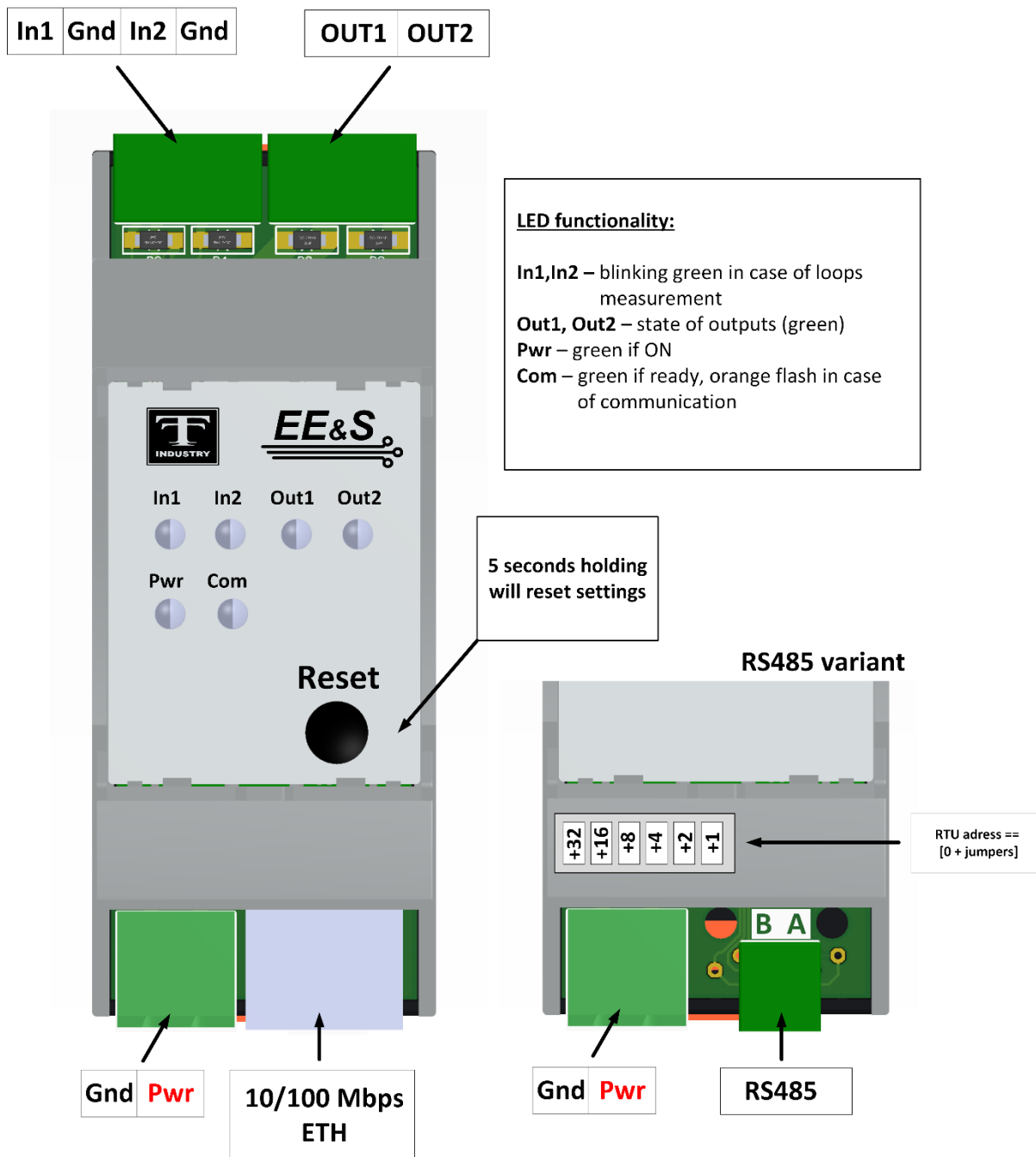


Fig. 1. - Module overview

### Basic parameters:

**Number of inputs:** 2 current inputs. Maximum current 30 mA

**Powering:** +12VDC ... 24VDC, consumption < 25mA

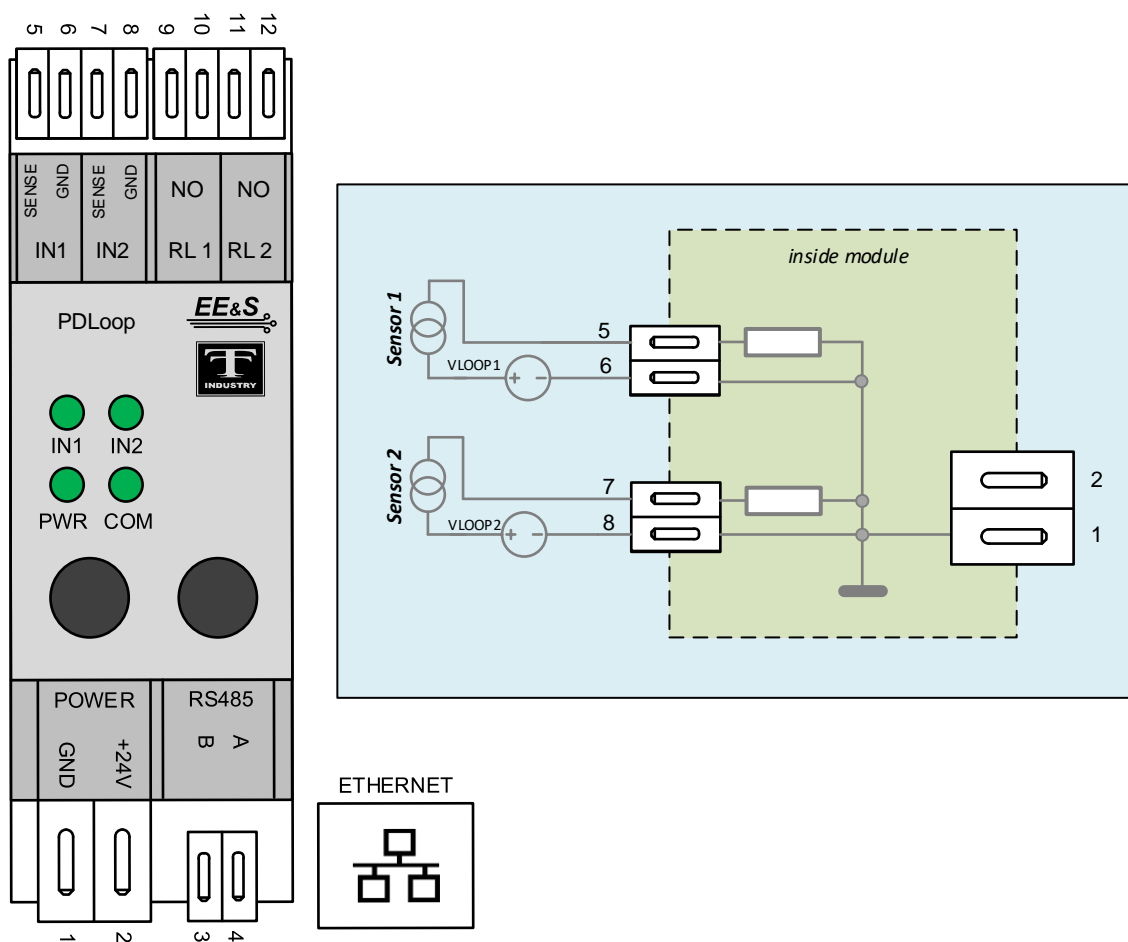
**ModBUS RTU:** 19200 bps, 8 bit, Even parity, 1 stop bit

**ModBUS RTU address range:** 0-63

**ModBUS TCP:** default: 192.168.0.100, 255.255.255.0, 192.168.0.1 port 502

**Impulse sensing frequency:** 10 Hz

### Basic connection:



### Reset:

Hold RESET (right button) for at least 5 seconds, LED will flash orange, then release.



## ModBUS address:

Input registers	
0	Current sensed at In1 [ $\mu$ A]
1	Current sensed at In2 [ $\mu$ A]

Holding registers	
0-15	not used, do not change
16,17,18,19	IP address of the device (default is: 192,168,0,100) (ETH)
20,21,22,23	IP subnet mask (default is: 255,255,255,0) (ETH)
24,25,26,27	IP gateway (default is: 192,168,0,1)
28	TCP port of ModBUS communication (default is: 502) (ETH)
29,30,31,32,33,34	MAC address (default is unique from factory) (ETH)

Coils	
0-3	not used, do not change
4	If set module will load new IP settings and automatically make reset (ETH)
5	Control for OUT1 relay (depends on product variant)
6	Control for OUT2 relay (depends on product variant)